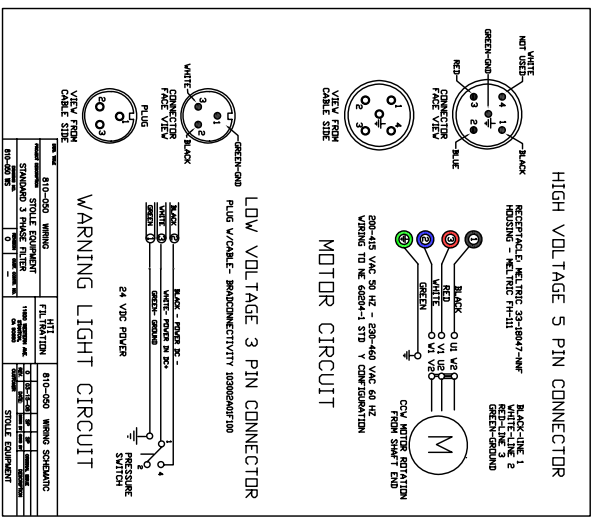
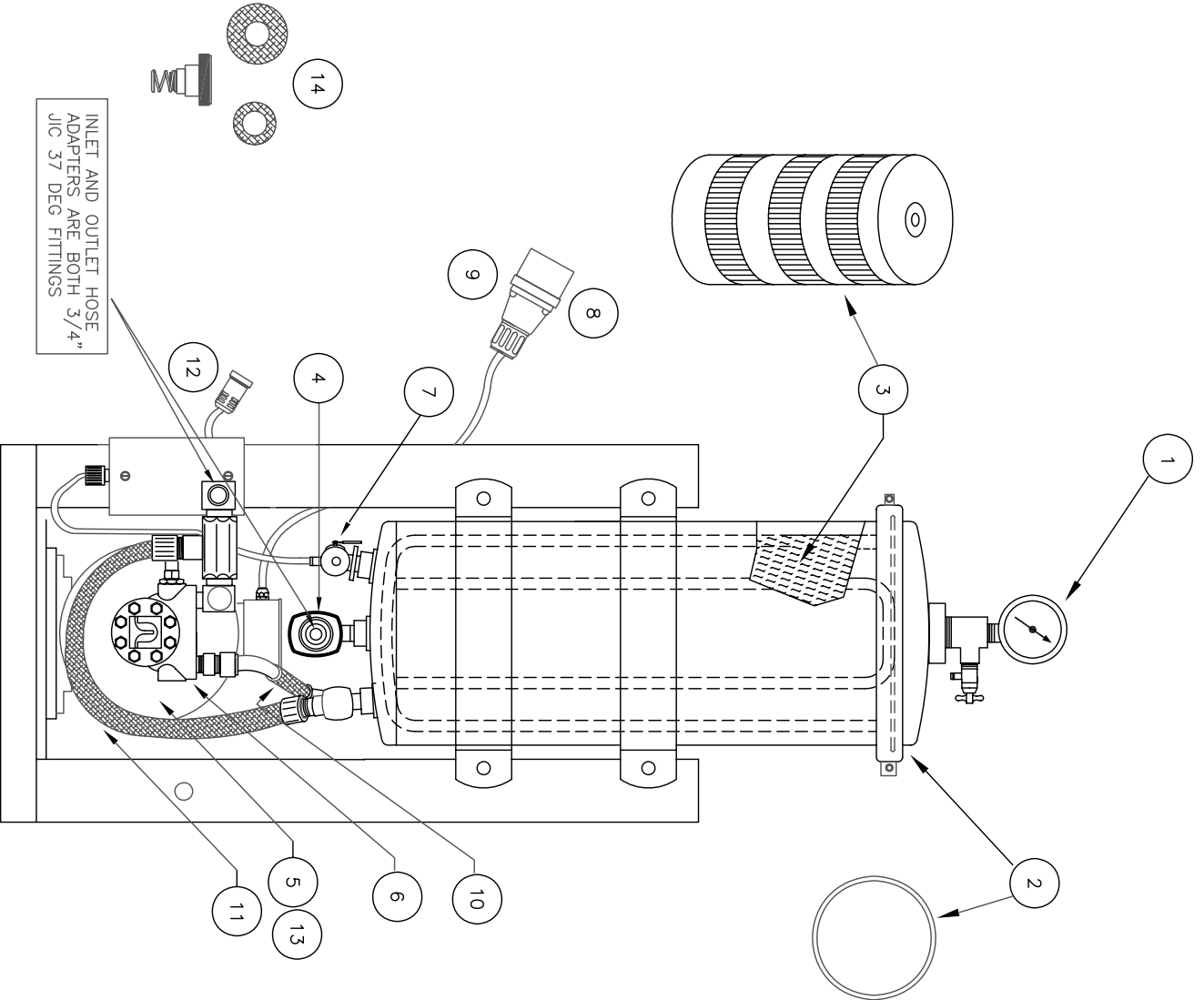


BILL OF MATERIAL

NO. REQD.	ITEM NO.	DESCRIPTION	HTI NO	STOLLE NO
-	1	PRESSURE GAUGE	610-010	089699
-	2	LID SEAL	450-002	089879
-	3	H411-B6L ELEMENT	800-026	088279
-	4	FLOW METER	630-006	-
-	5	MOTOR 3 PHASE 50/60 HZ CE/IEC	780-024	094970
-	6	1.5 GPM / 5.25 LPM PUMP	770-015	090126
-	7	PRESSURE SWITCH	620-001	089916
-	8	HIGH VOLTAGE PLUG-33-18047	260-034	222000311
-	9	PLUG HOUSING FH-111	260-035	222000313
-	10	PUMP OULET HOSE	420-029	094971
-	11	PRESSURE RELIEF HOSE	420-030	094972
-	12	LOW VOLTAGE CONN 103002A01F100	260-037	087367
-	13	METRIC MOTOR PUMP ADAPTER	790-009	089915
-	14	PUMP SEAL REPAIR KIT	460-057	095057



DWC. TITLE		HTI	
HS410-C2-B6L-C50/60 CE/IEC		FILTRATION	
PROJECT DESCRIPTION		11820 WESTERN AVE. GARDEN GROVE, CA 90680	
STOLLE NO. 724232		REV. F	
BODYMAKER OIL FILTER		DATE: 01/11/11	
DRAWING NO. 810050PL		DRAWN BY SP	
REVISION F		CHKD BY SP	
CUST. CONTR. NO. -		ADD HOSE FITTING NOTE	
		DESCRIPTION	
		CUSTOMER	
		STOLLE MACHINERY	

810-050 CE/IEC