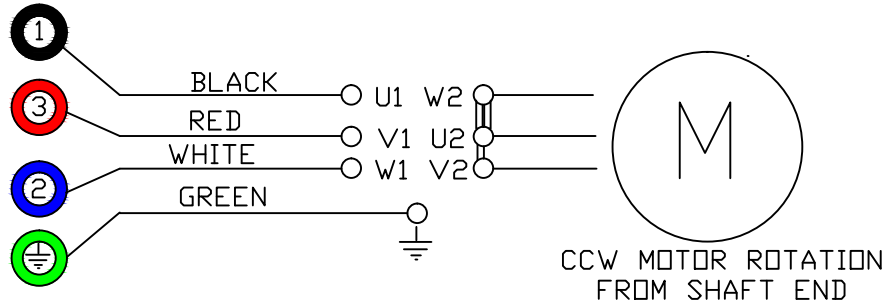


HIGH VOLTAGE CABLE

16-4 SEDOW CABLE 4 M LENGTH

BLACK-LINE 1
 WHITE-LINE 2
 RED-LINE 3
 GREEN-GROUND

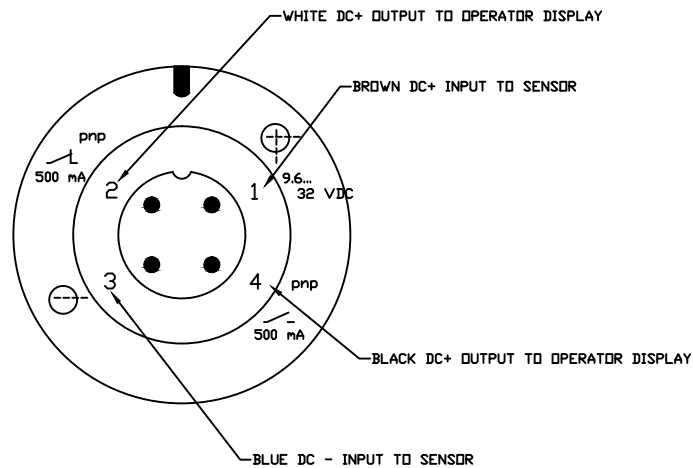


180-415 VAC 50 HZ
 WIRING TO NE 60204-1 STD Y CONFIGURATION

MOTOR CIRCUIT

LOW VOLTAGE CABLE

22 AWG BLACK PUR, 5 M length



WARNING LIGHT CIRCUIT

DWG. TITLE 810-050.2 WIRING		HTI FILTRATION		810-050.2 WIRING SCHEMATIC		
PROJECT DESCRIPTION STOLLE No. 724325 METRIC 3 PHASE FILTER		11820 WESTERN AVE. STANTON, CA 90680		-	-	-
DRAWING NO. 810-050.2 WS	REVISION 0	CUST. CONTR. NO. -		0	11-14-12	SP SP ORIGINAL ISSUE
			REV.	DATE:	DRWN BY	CHKD BY
			CUSTOMER STOLLE MCAHINERY			