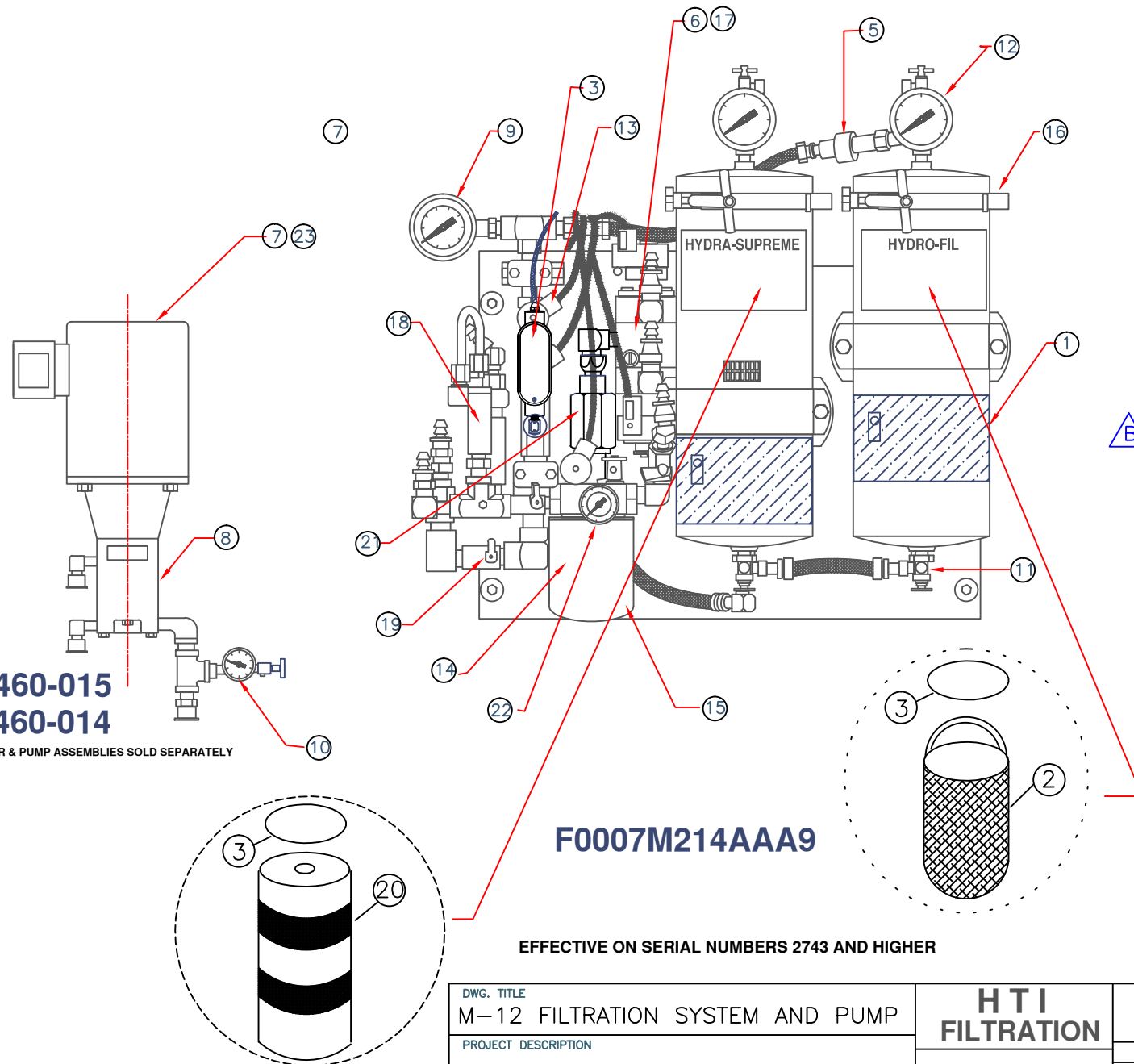


BILL OF MATERIAL

ITEM NO.	DESCRIPTION	DWG. NO
1	HEATER BLANKET	270-001
2	H050-OWB	800-004
3	FLOW SENSOR	620-010
4	O-RING	270-004
5	QDC - M,F	430-001,002
6	SOLENOID VALVE F RATED	430-068
7	MOTOR 50/60 HZ	780-015
8	PUMP	770-009
9	TEMPERATURE GAUGE	610-003
10	COMPOUND GAUGE	610-013
11	DRAIN COCK	430-004
12	PRESSURE GAUGE	610-010
13	PRESSURE SWITCH	620-001
14	PRESSURE GAUGE	610-009
15	SPIN-ON FILTER	800-042
16	LID CLAMP	540-005
17	SOLENOID VALVE	430-074
18	PRESSURE RELIEF VALVE	430-066
19	MINI VALVE	430-069
20	POPE FILTER	800-016
21	CHECK VALVE	430-079
22	0-30 PSI GAUGE	610-017
23	MOTOR 575 VOLT 60 HZ	780-021

B



460-015
460-014

MOTOR & PUMP ASSEMBLIES SOLD SEPARATELY

F0007M214AAA9

EFFECTIVE ON SERIAL NUMBERS 2743 AND HIGHER

DWG. TITLE M-12 FILTRATION SYSTEM AND PUMP		HTI FILTRATION		F0007M214AAA9	
PROJECT DESCRIPTION ANGELUS SANITARY CAN M-12 SYSTEM		11820 WESTERN AVE. STANTON, CA 90680		B	02/01/11
JOB NO. -		DRAWING NO. 830-015	REVISION B	CUST. CONTR. NO. -	SP
				SP	CHANGE FILTER PART # from -039
				SP	PRV CHANGE, CHECK VALVE, GAUGE
				REV.	DATE:
				DRWN BY	CHKD BY
				DESCRIPTION	
				CUSTOMER PNEUMATIC SCALE- ANGELUS	