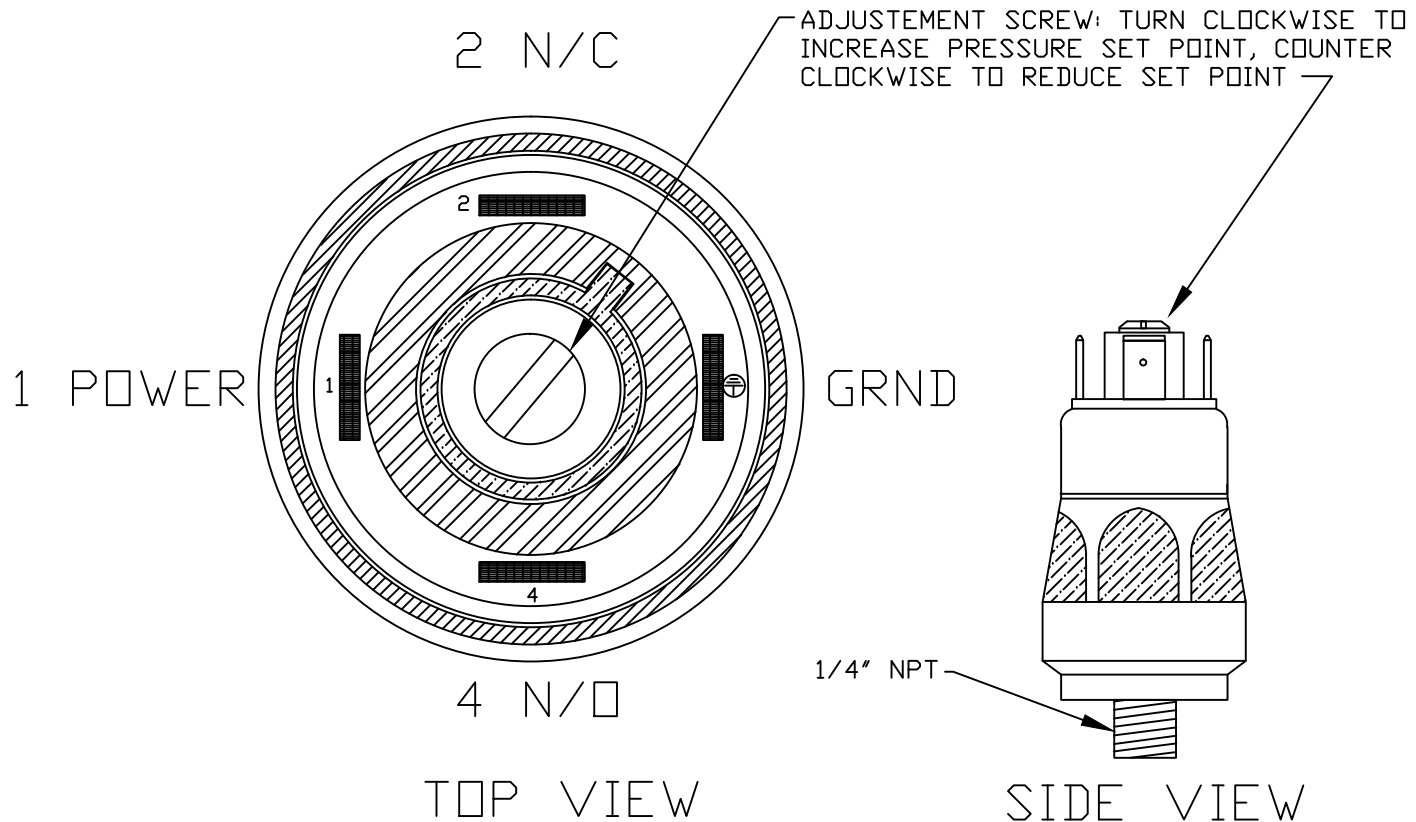


DLFLEX 18/3 CABLE



DWG. TITLE PRESSURE SWITCH ILLUSTRATION				HTI INC						
PROJECT DESCRIPTION PRESSURE SWITCH				11820 WESTERN AVE. Stanton CA 90680		10-03-05	SP	SP	-	
JOB NO.	DRAWING NO.	REVISION	CUST. CONTR. NO.	REV.	DATE:	DRWN BY	CHKD BY	DESCRIPTION		
-	620-001		-					CUSTOMER		