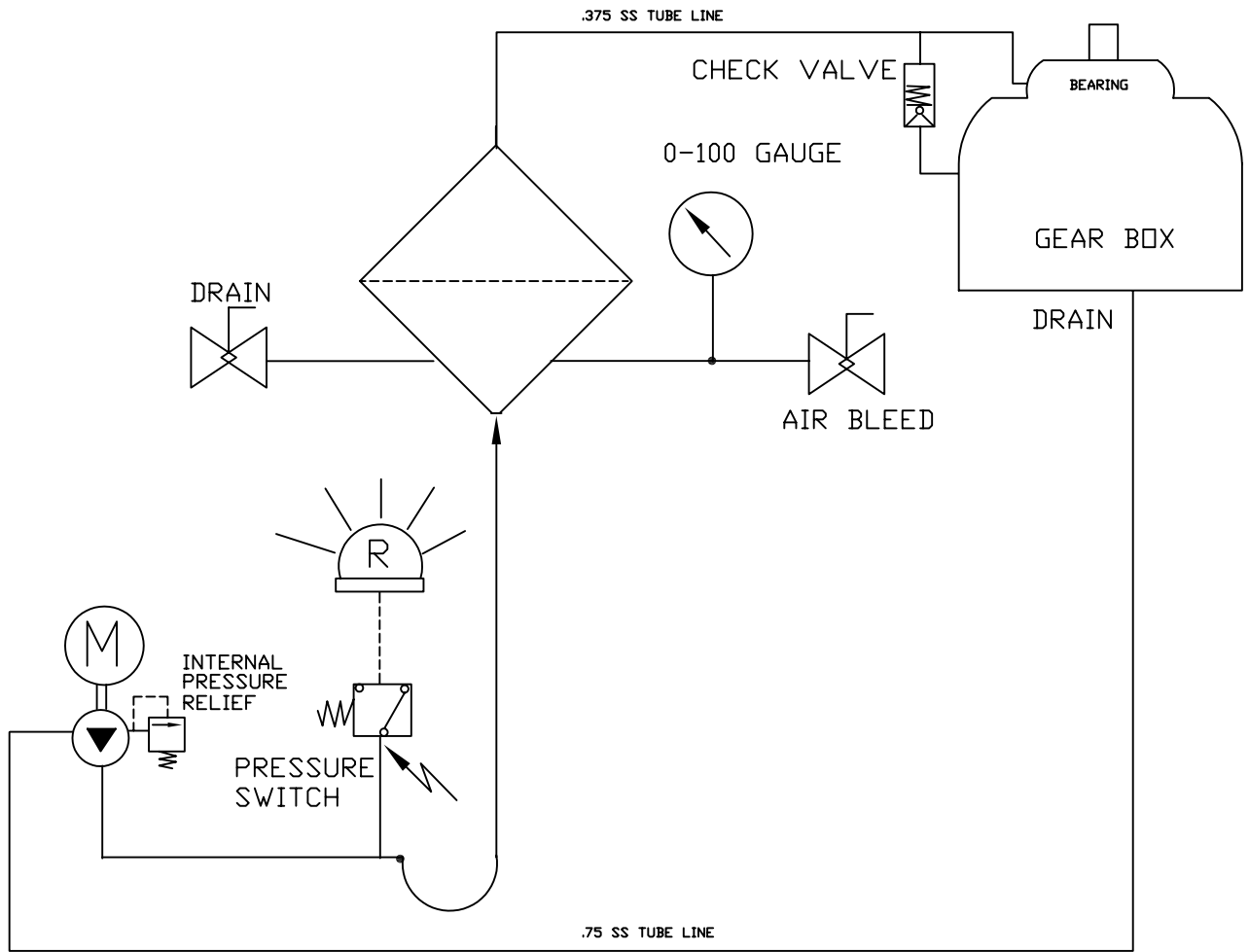


NOTE: THIS SCHEMATIC IS FOR USE ON A SPECIFIC MACHINE IN PLACE AT THE VAN NUYS, CA FACILITY. THIS ARRANGEMENT IS DESIGNED TO PREVENT BLOWING OUT THE SEAL ON THE BEARING. BY PLACING A LOW PRESSURE, LOW CV CHECK VALVE IN THE RETURN LINE WE CAN ASSURE POSITIVE OIL FLOW TO THE BEARING AND VENT THE RESIDUAL FLOW TO THE GEAR BOX.



DWG. TITLE HF201- 050-OWB-A				HTI INC		820-008 FLOW SCHEMATIC					
PROJECT DESCRIPTION HYDRO-FIL WATER REMOVAL SYSTEM				11820 WESTERN AVE. STANTON CA 90680		REV.	09/10/07	DATE:	SP	SP	-
JOB NO.	DRAWING NO.	REVISION	CUST. CONTR. NO.	CUSTOMER							
-	820-008 FL	0		A-B, VAN NUYS							